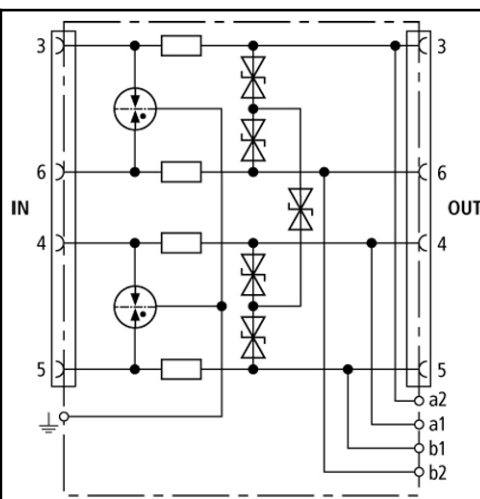


Dimension drawing BVT ISDN



Energy-coordinated ISDN four-wire protective circuit with additional protection for the remote power supply.



RJ45 sockets

Additional screw terminals for the ISDN lines

For ISDN  $S_0$  buses with RJ45 connectors. The additional screw terminal connection at the protected output allows double wiring of the  $S_0$  bus (distribution function).

For installation in conformity with the lightning protection zones concept at the boundaries from  $0_B - 2$  and higher

BVT ISDN	
SPD class	TYPE2P1
Nominal voltage $[U_N]$	5 V
Nominal voltage pa-pa $[U_N]$	40 V
Max. continuous operating d.c. voltage $[U_C]$	7.5 V
Max. continuous operating d.c. voltage pa-pa $[U_C]$	60 V
Nominal current $[I_N]$	200 mA
C2 Total nominal discharge current (8/20 $\mu$ s) $[I_n]$	10 kA
C2 Nominal discharge current (8/20 $\mu$ s) per line $[I_n]$	2.5 kA
Voltage protection level line-line for $I_n$ C2 $[U_p]$	$\leq 30$ V
Voltage protection level line-PG for $I_n$ C2 $[U_p]$	$\leq 600$ V
Voltage protection level pa-pa for $I_n$ C2 $[U_p]$	$\leq 130$ V
Voltage protection level line-line at 1 kV/ $\mu$ s C3 $[U_p]$	$\leq 17$ V
Voltage protection level line-PG at 1 kV/ $\mu$ s C3 $[U_p]$	$\leq 600$ V
Voltage protection level pa-pa at 1 kV/ $\mu$ s C3 $[U_p]$	$\leq 100$ V
Series impedance per line	1.0 ohm
Cut-off frequency line-line $[f_{cl}]$	1.7 MHz
Capacitance line-line [C]	$\leq 3.3$ nF
Capacitance line-PG [C]	$\leq 15$ pF
Capacitance pa-pa [C]	$\leq 600$ pF
Operating temperature range	-40°C...+80°C
Degree of protection	IP 10
For mounting on	35 mm DIN rail acc. to EN 60715
Connection input/output	RJ45 / RJ45 or terminals
Pinning	3/6, 4/5
Cross-sectional area, solid	0.08 - 2.5 mm <sup>2</sup>
Cross-sectional area, flexible	0.08 - 2.5 mm <sup>2</sup>
Earthing via	terminal
Enclosure material	thermoplastic, UL 94 V-0
Colour	yellow
Test standards	IEC 61643-21
Approvals, Certifications	GOST
<b>Ordering information</b>	
Type	BVT ISDN
Part No.	918 410
Packing unit	1 pc

