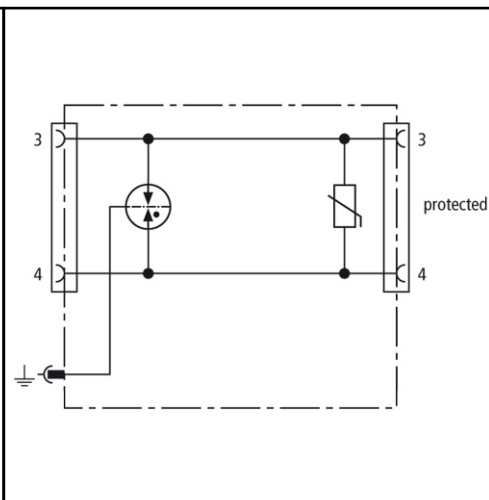


Dimension drawing DLI TC



High-capacity varistor makes decoupling from the gas discharge tube unnecessary.



Cost-effective protection for 1 pair

Modern design

For installation in conformity with the lightning protection zones concept at the boundaries from 0_b – 2 and higher

Protective device for analogue or system telephones, RJ12 sockets.

DLI TC ECO RJ12	
SPD class	TYPE2P2
Nominal voltage [U _N]	130 V
Max. continuous operating d.c. voltage [U _c]	170 V
Max. continuous operating a.c. voltage [U _c]	120 V
Nominal current [I _N]	200 mA
C2 Total nominal discharge current (8/20 μs) [I _n]	5 kA
C2 Nominal discharge current (8/20 μs) per line [I _n]	2.5 kA
Voltage protection level line-line for I _n C2 [U _p]	≤ 480 V
Voltage protection level line-PG for I _n C2 [U _p]	≤ 600 V
Voltage protection level line-line for 1 kV/μs C3 [U _p]	≤ 280 V
Voltage protection level line-PG for 1 kV/μs C3 [U _p]	≤ 600 V
Cut-off frequency line-line	10 MHz
Capacitance line-line [C]	≤ 0.7 nF
Capacitance line-PG [C]	≤ 15 pF
Operating temperature range	-40°C...+80°C
Degree of protection	IP 20
Connection input/output	RJ12 / RJ12
Pinning	3/4
Earthing via	flat connector 6.3 mm
Enclosure material	polyamide PA 6.6
Colour	yellow
Test standards	IEC 61643-21
Approvals, Certifications	GOST
Accessories	mounting accessory
Ordering information	
Type	DLI TC ECO RJ12
Part No.	929 081
Packing unit	1 pc

We reserve the right to modify design, technology, dimensions, weights and materials according to technical progress. Illustrations are non-binding. Pictures may differ from the modules described.